
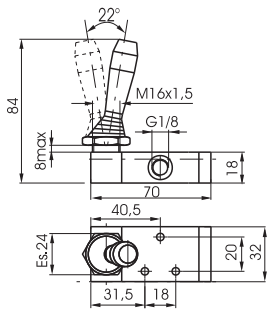

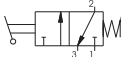

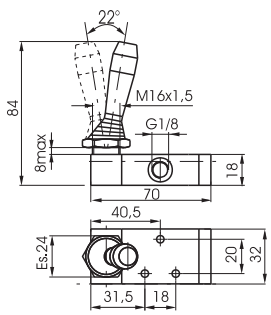

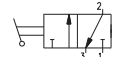

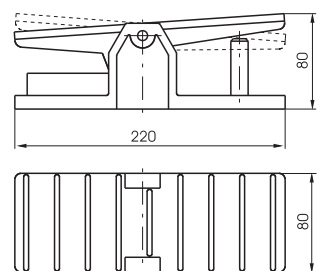
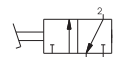
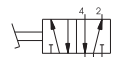


1

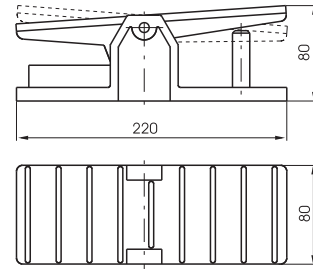
<b>Lever lateral - Spring</b>	3/2	<b>Ordering code</b> <b>228.T.9.1/C</b>	5/2	<b>Lever lateral - Spring</b>							
											
		<table border="1" style="width:100%; border-collapse: collapse;"> <tr><td><b>T</b> TYPE</td></tr> <tr><td>32 = 3 ways</td></tr> <tr><td>52 = 5 ways</td></tr> <tr><td><b>C</b> BUTTON COLOR</td></tr> <tr><td>1 = Red</td></tr> <tr><td>2 = Black</td></tr> <tr><td>3 = Green</td></tr> </table>	<b>T</b> TYPE	32 = 3 ways	52 = 5 ways	<b>C</b> BUTTON COLOR	1 = Red	2 = Black	3 = Green		
<b>T</b> TYPE											
32 = 3 ways											
52 = 5 ways											
<b>C</b> BUTTON COLOR											
1 = Red											
2 = Black											
3 = Green											
Weight gr. 140				Weight gr. 160							
<b>Operational characteristic</b>	Fluid	Max working pressure (bar)	Temperature °C	Flow rate at 6 bar with Δp=1 (Nl/min)	Orifice size (mm)	Working ports size					
	Filtered and lubricated air	10 bar	-5 - +70	540 Nl/min	mm 6	G 1/8"					

<b>Lever lateral 2 positions</b>	3/2	<b>Ordering code</b> <b>228.T.9/C</b>	5/2	<b>Lever lateral 2 positions</b>							
											
		<table border="1" style="width:100%; border-collapse: collapse;"> <tr><td><b>T</b> TYPE</td></tr> <tr><td>32 = 3 ways</td></tr> <tr><td>52 = 5 ways</td></tr> <tr><td><b>C</b> BUTTON COLOR</td></tr> <tr><td>1 = Red</td></tr> <tr><td>2 = Black</td></tr> <tr><td>3 = Green</td></tr> </table>	<b>T</b> TYPE	32 = 3 ways	52 = 5 ways	<b>C</b> BUTTON COLOR	1 = Red	2 = Black	3 = Green		
<b>T</b> TYPE											
32 = 3 ways											
52 = 5 ways											
<b>C</b> BUTTON COLOR											
1 = Red											
2 = Black											
3 = Green											
Weight gr. 140				Weight gr. 160							
<b>Operational characteristic</b>	Fluid	Max working pressure (bar)	Temperature °C	Flow rate at 6 bar with Δp=1 (Nl/min)	Orifice size (mm)	Working ports size					
	Filtered and lubricated air	10 bar	-5 - +70	540 Nl/min	mm 6	G 1/8"					

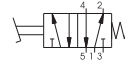
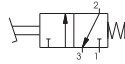
<b>Ordering code</b> <b>228.T.10</b>					3/2 5/2			
<table border="1" style="width:100%; border-collapse: collapse;"> <tr><td><b>T</b> TYPE</td></tr> <tr><td>32 = 3 ways</td></tr> <tr><td>52 = 5 ways</td></tr> </table>	<b>T</b> TYPE	32 = 3 ways	52 = 5 ways					
<b>T</b> TYPE								
32 = 3 ways								
52 = 5 ways								
Weight gr. 790 (3/2) Weight gr. 810 (5/2)								
<b>Operational characteristic</b>	Fluid	Max working pressure (bar)	Temperature °C	Flow rate at 6 bar with Δp=1 (Nl/min)	Working ports size			
	Filtered and lubricated air	10 bar	-5 - +70	540 Nl/min	G 1/8"			

**Pedal aluminium - Spring**

Ordering code	
<b>228.T.10.1</b>	
TYPE	
T 32 = 3 ways	
52 = 5 ways	



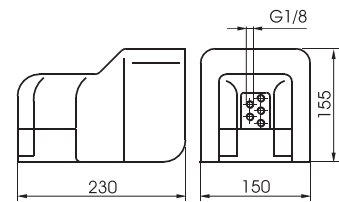
Weight gr. 790 (3/2)  
Weight gr. 810 (5/2)



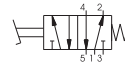
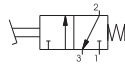
Operational characteristic	Fluid	Max working pressure (bar)	Temperature °C	Flow rate at 6 bar with Δp=1 (Nl/min)	Orifice size (mm)	Working ports size
		Filtered and lubricated air	10 bar	-5 - +70	540 Nl/min	mm 6

**Pedal protected - Spring**

Ordering code	
<b>228.T.10.V</b>	
TYPE	
T 32 = 3 ways	
52 = 5 ways	
VERSION	
V 1/1 = Standard version	
2/1 = without safety device	



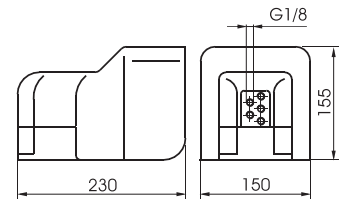
Weight gr. 1.120



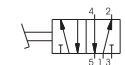
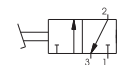
Operational characteristic	Fluid	Max working pressure (bar)	Temperature °C	Flow rate at 6 bar with Δp=1 (Nl/min)	Orifice size (mm)	Working ports size
		Filtered and lubricated air	10 bar	-5 - +70	540 Nl/min	mm 6

**Pedal protected 2 positions**

Ordering code	
<b>228.T.10/1</b>	
TYPE	
T 32 = 3 ways	
52 = 5 ways	



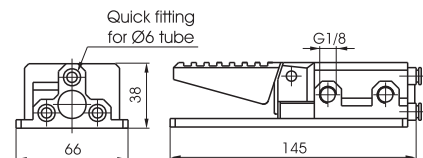
Weight gr. 1.120



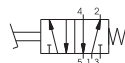
Operational characteristic	Fluid	Max working pressure (bar)	Temperature °C	Flow rate at 6 bar with Δp=1 (Nl/min)	Orifice size (mm)	Working ports size
		Filtered and lubricated air	10 bar	-5 - +70	540 Nl/min	mm 6

**Pedal plastic miniaturized - Spring**

Ordering code	
<b>228.52.10.F</b>	
FUNCTION	
F 1P = Standard version	
1PX = Stainless steel spool	



Weight gr. 230

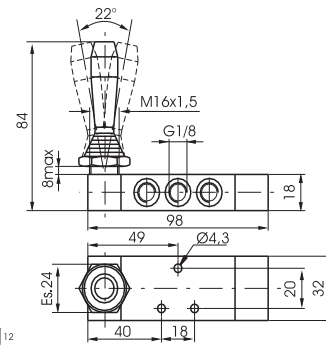
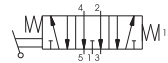
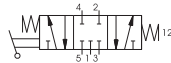


Operational characteristic	Fluid	Max working pressure (bar)	Temperature °C	Flow rate at 6 bar with Δp=1 (Nl/min)	Orifice size (mm)	Working ports size
		Filtered and lubricated air	10 bar	-5 - +70	540 Nl/min	mm 6

**Lever lateral spring centre 3 positions**

Ordering code	
<b>228.53.F.9.1/C</b>	
FUNCTION	
<b>F</b>	31 = Closed centres
	32 = Open centres
BUTTON COLOR	
<b>C</b>	1 = Red
	2 = Black
	3 = Green

Weight gr. 190

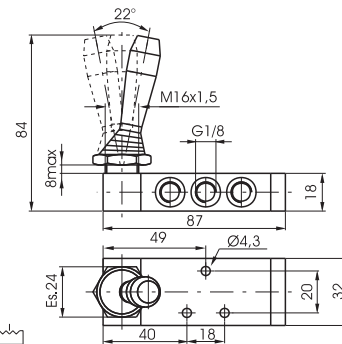
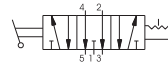
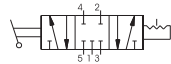


<b>Operational characteristic</b>	Fluid	Max working pressure (bar)	Temperature °C	Flow rate at 6 bar with Δp=1 (NI/min)	Orifice size (mm)	Working ports size
	Filtered and lubricated air	10 bar	-5 - +70	410 NI/min	mm 6	G 1/8"

**Lever lateral 3 positions detent**

Ordering code	
<b>228.53.F.9/C</b>	
FUNCTION	
<b>F</b>	31 = Closed centres
	32 = Open centres
BUTTON COLOR	
<b>C</b>	1 = Red
	2 = Black
	3 = Green

Weight gr. 160

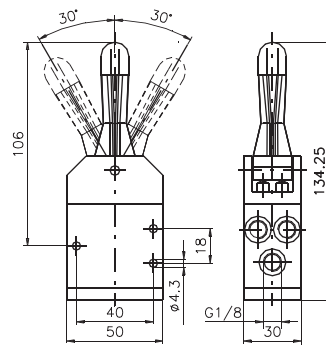
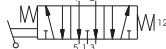


<b>Operational characteristic</b>	Fluid	Max working pressure (bar)	Temperature °C	Flow rate at 6 bar with Δp=1 (NI/min)	Orifice size (mm)	Working ports size
	Filtered and lubricated air	10 bar	-5 - +70	410 NI/min	mm 6	G 1/8"

**Lever central (spring 3 pos.) Operator, Levar, Spole in Technopolymer**

Ordering code	
<b>228.53.32.99P/C</b>	
LEVER COLOR	
<b>C</b>	1 = Red
	2 = Black

Weight gr. 140

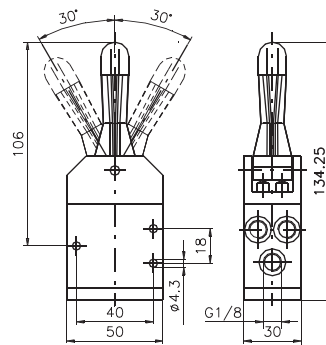


<b>Operational characteristic</b>	Fluid	Max working pressure (bar)	Temperature °C	Flow rate at 6 bar with Δp=1 (NI/min)	Orifice size (mm)	Working ports size
	Filtered and lubricated air	10	-5 - +70	410	6	G 1/8"

**Lever central (spring 3 pos.) Levar in Technopolymer**

Ordering code	
<b>228.53.32.99/C</b>	
LEVER COLOR	
<b>C</b>	1 = Red
	2 = Black

Weight gr. 140

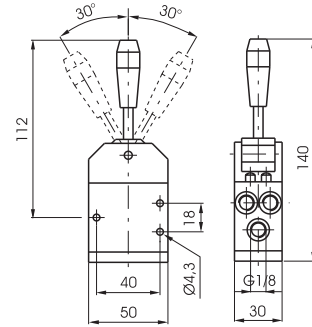


<b>Operational characteristic</b>	Fluid	Max working pressure (bar)	Temperature °C	Flow rate at 6 bar with Δp=1 (NI/min)	Orifice size (mm)	Working ports size
	Filtered and lubricated air	10	-5 - +70	410	6	G 1/8"

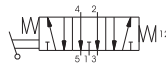
**Lever central Metal (spring 3 pos.) One position stable**

5/3

Ordering code	
<b>228.53.32.99/CS</b>	
LEVER COLOR	
1 = Red	
2 = Black	



Weight gr. 140

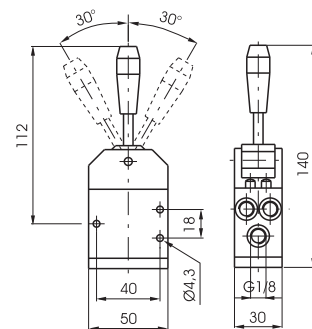


Operational characteristic	Fluid	Max working pressure (bar)	Temperature °C	Flow rate at 6 bar with Δp=1 (Nl/min)	Orifice size (mm)	Working ports size
		Filtered and lubricated air	10	-5 - +70	410	6

**Lever central Metal**

5/3

Ordering code	
<b>228.53.32.99.F/C</b>	
FUNCTION	
2 = 2 Stable positions	
3 = 3 Stable positions	
LEVER COLOR	
1 = Red	
2 = Black	



Weight gr. 140

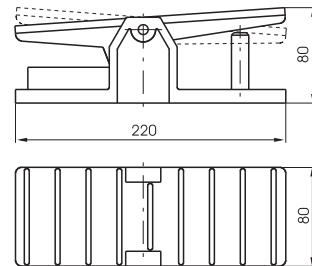


Operational characteristic	Fluid	Max working pressure (bar)	Temperature °C	Flow rate at 6 bar with Δp=1 (Nl/min)	Orifice size (mm)	Working ports size
		Filtered and lubricated air	10	-5 - +70	410	6

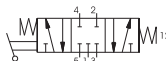
**Pedal - Spring 3 positions**

5/3

Ordering code	
<b>228.53.F.10.1</b>	
FUNCTION	
31 = Closed centres	
32 = Open centres	




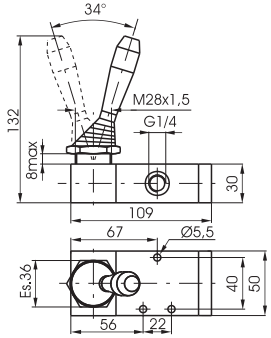

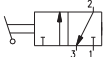
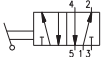
Weight gr. 810




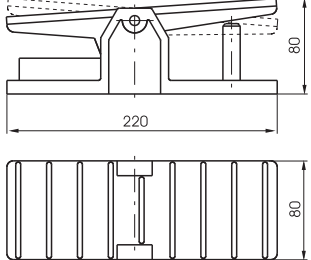
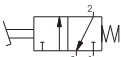
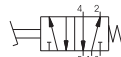
Operational characteristic	Fluid	Max working pressure (bar)	Temperature °C	Flow rate at 6 bar with Δp=1 (Nl/min)	Orifice size (mm)	Working ports size
		Filtered and lubricated air	10 bar	-5 - +70	410 Nl/min	mm 6




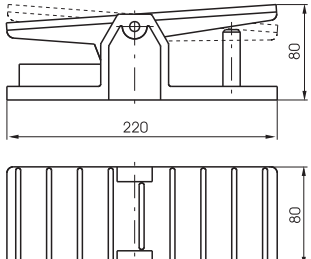
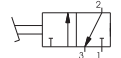
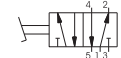
1

<b>Lever lateral 2 positions</b>	3/2	<b>Ordering code</b> <b>224.1.9/C</b>	5/2	<b>Lever lateral 2 positions</b>
				
		<p><b>TYPE</b></p> <p><b>T</b> 32 = 3 ways 52 = 5 ways</p> <p><b>BUTTON COLOR</b></p> <p><b>C</b> 1 = Red 2 = Black 3 = Green</p>		
Weight gr. 510				Weight gr. 595
				

<b>Operational characteristic</b>	Fluid	Max working pressure (bar)	Temperature °C	Flow rate at 6 bar with Δp=1 (Nl/min)	Orifice size (mm)	Working ports size
	Filtered and lubricated air	10 bar	-5 - +70	1360 Nl/min	mm 8	G 1/4"

<b>Pedal aluminium - Spring</b>						
<b>Ordering code</b> <b>224.1.10.1</b>						
<p><b>TYPE</b></p> <p><b>T</b> 32 = 3 ways 52 = 5 ways</p>						
Weight gr. 1.070 (3/2) Weight gr. 1.155 (3/2)						
						

<b>Operational characteristic</b>	Fluid	Max working pressure (bar)	Temperature °C	Flow rate at 6 bar with Δp=1 (Nl/min)	Orifice size (mm)	Working ports size
	Filtered and lubricated air	10 bar	-5 - +70	1360 Nl/min	mm 8	G 1/4"

<b>Pedal aluminium 2 positions</b>						
<b>Ordering code</b> <b>224.1.10</b>						
<p><b>TYPE</b></p> <p><b>T</b> 32 = 3 ways 52 = 5 ways</p>						
Weight gr. 1.060 (3/2) Weight gr. 1.145 (3/2)						
						

<b>Operational characteristic</b>	Fluid	Max working pressure (bar)	Temperature °C	Flow rate at 6 bar with Δp=1 (Nl/min)	Orifice size (mm)	Working ports size
	Filtered and lubricated air	10 bar	-5 - +70	1360 Nl/min	mm 8	G 1/4"

**Pedal protected - Spring**

Ordering code

**214.1.10.V**

TYPE

32 = 3 ways

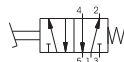
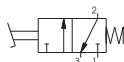
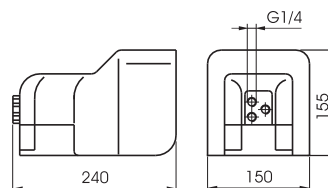
52 = 5 ways

VERSION

1/1 = Standard version

2/1 = without safety device

Weight gr. 1.730



**Operational characteristic**

Fluid	Max working pressure (bar)	Temperature °C	Flow rate at 6 bar with Δp=1 (NI/min)	Orifice size (mm)	Working ports size
Filtered and lubricated air	10 bar	-5 - +70	1360 NI/min	mm 8	G 1/4"

**Pedal protected 2 positions**

Ordering code

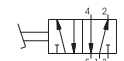
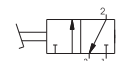
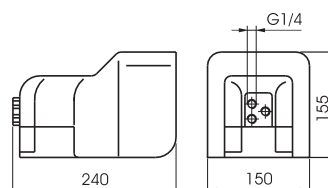
**214.1.10/1**

TYPE

32 = 3 ways

52 = 5 ways

Weight gr. 1.730



**Operational characteristic**

Fluid	Max working pressure (bar)	Temperature °C	Flow rate at 6 bar with Δp=1 (NI/min)	Orifice size (mm)	Working ports size
Filtered and lubricated air	10 bar	-5 - +70	1360 NI/min	mm 8	G 1/4"

**Lever lateral spring 3 positions**

Ordering code

**224.53.F.9.1/C**

FUNCTION

31 = Closed centres

32 = Open centres

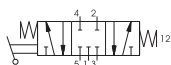
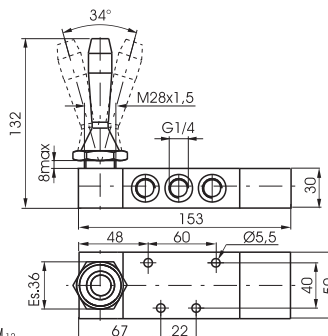
BUTTON COLOR

1 = Red

2 = Black

3 = Green

Weight gr. 745



**Operational characteristic**

Fluid	Max working pressure (bar)	Temperature °C	Flow rate at 6 bar with Δp=1 (NI/min)	Orifice size (mm)	Working ports size
Filtered and lubricated air	10 bar	-5 - +70	1280 NI/min	mm 8	G 1/4"

**Lever lateral 3 positions**

Ordering code

**224.53.F.9/C**

FUNCTION

31 = Closed centres

32 = Open centres

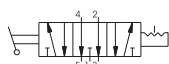
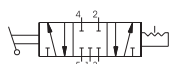
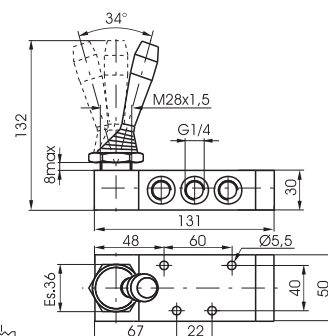
BUTTON COLOR

1 = Red

2 = Black

3 = Green

Weight gr. 605



**Operational characteristic**

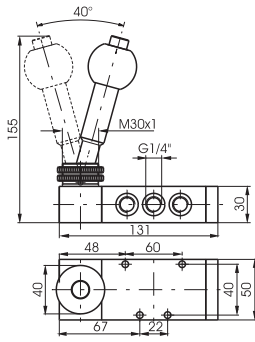
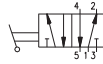
Fluid	Max working pressure (bar)	Temperature °C	Flow rate at 6 bar with Δp=1 (NI/min)	Orifice size (mm)	Working ports size
Filtered and lubricated air	10 bar	-5 - +70	1280 NI/min	mm 8	G 1/4"

**Lever lateral with locking device - 2 positions**

Ordering code
<b>224.52.9.2</b>



Weight gr. 825



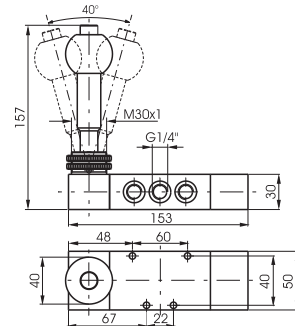
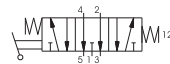
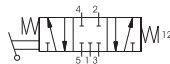
Operational characteristic	Fluid	Max working pressure (bar)	Temperature °C	Flow rate at 6 bar with Δp=1 (Nl/min)	Orifice size (mm)	Working ports size
		Filtered and lubricated air	10 bar	-5 - +70	1020 Nl/min	mm 8

**Lever lateral with locking device - Spring 3 positions**

Ordering code
<b>224.53.F.9.2</b>
FUNCTION
<b>F</b> 31 = Closed centres
32 = Open centres



Weight gr. 965



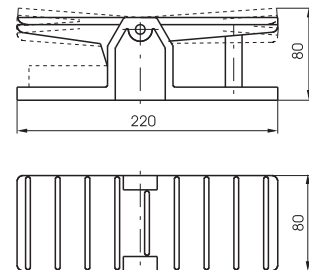
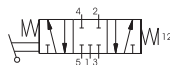
Operational characteristic	Fluid	Max working pressure (bar)	Temperature °C	Flow rate at 6 bar with Δp=1 (Nl/min)	Orifice size (mm)	Working ports size
		Filtered and lubricated air	10 bar	-5 - +70	1020 Nl/min	mm 8

**Pedal - Spring 3 positions**

Ordering code
<b>224.53.F.10.1</b>
FUNCTION
<b>F</b> 31 = Closed centres
32 = Open centres



Weight gr. 1.285



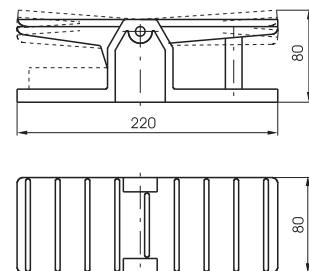
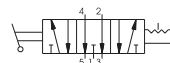
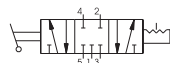
Operational characteristic	Fluid	Max working pressure (bar)	Temperature °C	Flow rate at 6 bar with Δp=1 (Nl/min)	Orifice size (mm)	Working ports size
		Filtered and lubricated air	10 bar	-5 - +70	1280 Nl/min	mm 8

**Pedal 3 positions**

Ordering code
<b>224.53.F.10</b>
FUNCTION
<b>F</b> 31 = Closed centres
32 = Open centres



Weight gr. 1.145



Operational characteristic	Fluid	Max working pressure (bar)	Temperature °C	Flow rate at 6 bar with Δp=1 (Nl/min)	Orifice size (mm)	Working ports size
		Filtered and lubricated air	10 bar	-5 - +70	1280 Nl/min	mm 8