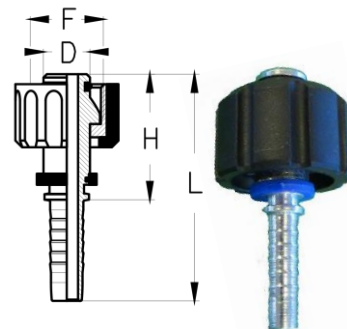


# SLANGEKOBLINGER, STANDARD

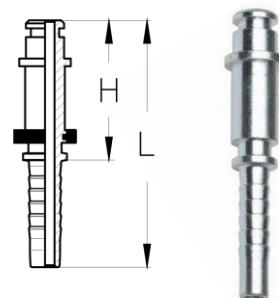
## K – "Kärcher" Metrisk hun

| Varenummer | Slangestørrelse |       |      | Metrisk gevind størrelse | Dimension (mm) |      |      |        |
|------------|-----------------|-------|------|--------------------------|----------------|------|------|--------|
|            | DN              | Inch  | Dash | F                        | H              | L    | D    | O-Ring |
| 0222K0422  | 6,3             | 1/4"  | -4   | M22x1,5                  | 34,8           | 62,8 | 14,0 | 10x2,0 |
| 0222K0522  | 8               | 5/16" | -5   | M22x1,5                  | 37,8           | 65,8 | 14,0 | 10x2,0 |
| 0222K0622  | 10              | 3/8"  | -6   | M22x1,5                  | 22,5           | 53,0 | 22,0 | 10x2,0 |



## KI – "Kärcher" nippel for pistol

| Varenummer | Slangestørrelse |       |      | Dimension (mm) |      |
|------------|-----------------|-------|------|----------------|------|
|            | DN              | Inch  | Dash | H              | L    |
| 0222KI04   | 6,3             | 1/4"  | -4   | 36,5           | 64,5 |
| 0222KI05   | 8               | 5/16" | -5   | 36,5           | 64,5 |



## WEO – Plug-in Nippel

| Varenummer  | Slangestørrelse |      |      | Dimension  |         |
|-------------|-----------------|------|------|------------|---------|
|             | DN              | Inch | Dash | WEO Nippel |         |
| 0222WEO0606 | 10              | 3/8" | -6   | 3/8"       | 13,0 mm |
| 0222WEO0806 | 10              | 3/8" | -6   | 1/2"       | 16,0 mm |
| 0222WEO0808 | 12,5            | 1/2" | -8   | 1/2"       | 16,0 mm |



## C – Slangesamler

| Varenummer | Slangestørrelse |       |      | Dimension (mm) |       |
|------------|-----------------|-------|------|----------------|-------|
|            | DN              | Inch  | Dash | H              | L     |
| 0222C0404  | 6,3             | 1/4"  | -04  | 13,0           | 69,0  |
| 0222C0505  | 8               | 5/16" | -05  | 13,0           | 69,0  |
| 0222C0606  | 10              | 3/8"  | -06  | 13,0           | 74,0  |
| 0222C0808  | 12,5            | 1/2"  | -08  | 15,0           | 81,0  |
| 0222C1010  | 16              | 5/8"  | -10  | 16,0           | 88,0  |
| 0222C1212  | 19              | 3/4"  | -12  | 18,0           | 99,0  |
| 0222C1616  | 25              | 1"    | -16  | 21,0           | 123,0 |

