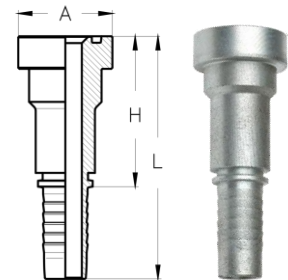


SLANGEKOBLINGER, STANDARD

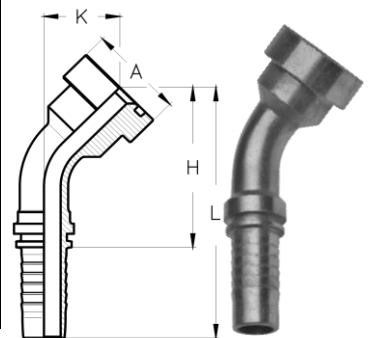
CAT – Supercat Flange

Varenummer	Slangestørrelse			Flange størrelse		Dimension (mm)		
	DN	Inch	Dash	Inch	mm	H	L	A
0222CAT1241	19	3/4"	-12	3/4"	41,3	66,0	106,5	41,3
0222CAT1248	19	3/4"	-12	1"	47,6	68,0	108,5	47,6
0222CAT1648	25	1"	-16	1"	47,6	72,0	123,0	47,6
0222CAT1654	25	1"	-16	1 1/4"	54,0	75,0	126,0	54,0
0222CAT2054	31,5	1 1/4"	-20	1 1/4"	54,0	75,0	133,0	54,0
0222CAT2063	31,5	1 1/4"	-20	1 1/2"	63,5	82,0	140,0	63,5
0222CAT2463	38	1 1/2"	-24	1 1/2"	63,5	83,0	147,5	63,5



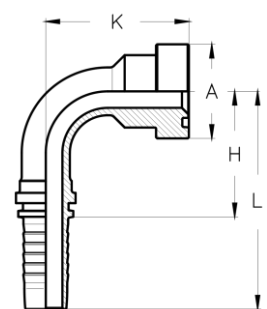
CAT4 – Supercat Flange, 45° Bøjning

Varenummer	Slangestørrelse			Flange størrelse		Dimension (mm)			
	DN	Inch	Dash	Inch	mm	H	L	K	A
0222CAT41241	19	3/4"	-12	3/4"	41,3	71,0	112,0	34,0	41,3
0222CAT41248	19	3/4"	-12	1"	47,6	74,0	114,0	36,0	47,6
0222CAT41648	25	1"	-16	1"	47,6	86,0	137,0	37,0	47,6
0222CAT41654	25	1"	-16	1 1/4"	54,0	88,0	139,0	38,0	54,0
0222CAT42054	31,5	1 1/4"	-20	1 1/4"	54,0	86,0	154,0	39,0	54,0
0222CAT42063	31,5	1 1/4"	-20	1 1/2"	63,5	102,0	160,0	45,0	63,5
0222CAT42463	38	1 1/2"	-24	1 1/2"	63,5	114,0	179,0	45,0	63,5



CAT9 – Supercat Flange, 90° Bøjning

Varenummer	Slangestørrelse			Flange størrelse		Dimension (mm)			
	DN	Inch	Dash	Inch	mm	H	L	K	A
0222CAT91241	19	3/4"	-12	3/4"	41,3	55,0	95,0	64,0	41,3
0222CAT91248	19	3/4"	-12	1"	47,6	55,0	95,0	67,0	47,6
0222CAT91648	25	1"	-16	1"	47,6	71,0	122,0	73,0	47,6
0222CAT91654	25	1"	-16	1 1/4"	54,0	71,0	122,0	75,0	54,0
0222CAT92054	31,5	1 1/4"	-20	1 1/4"	54,0	86,0	143,0	80,0	54,0
0222CAT92063	31,5	1 1/4"	-20	1 1/2"	63,5	86,0	143,0	89,0	63,5
0222CAT92463	38	1 1/2"	-24	1 1/2"	63,5	102,0	167,0	95,0	63,5



SLANGEKOBLINGER, STANDARD

Pakninger for Supercat flanger (D-ringe)

Flangestørrelse	Varenummer D-Ring
3/4" (41,3)	0242CAT12
1" (47,6)	0242CAT16
1 1/4" (54,0)	0242CAT20
1 1/2" (63,5)	0242CAT24
2" (79,4)	0242CAT32

